



Standard and custom passive components

If your application depends on it

SERIES MP600

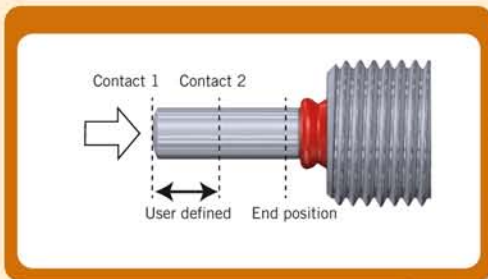
- M8 and M12 threaded metal housing
- Custom housing
- Pin or ball actuator
- No hysteresis
- Detects 2 positions
- Large temperature range -40°C to +130°C

Mechanical 2-in-1 Position Sensor

Series MP600

The MP600 mechanical sensor represents a new way to accurately detect positions. With its unique patented mechanism it can very precisely detect 2 locations. The distance between the 2 positions is easily customisable and varies between 0.3mm and 1.5mm with a precision better than 5µm. This feature allows to control 2 parameters within a device or process. For example you may detect the air gap of a brake with the first contact and the wear out of the break pad with the 2nd. In other applications the MP600 could indicate if a movement is inside a tolerable limit in a production process or just detect the home position in linear movements.

The position sensor comes standard in a M8 and M12 threaded housing, but because of its construction, custom housings can easily be realized.



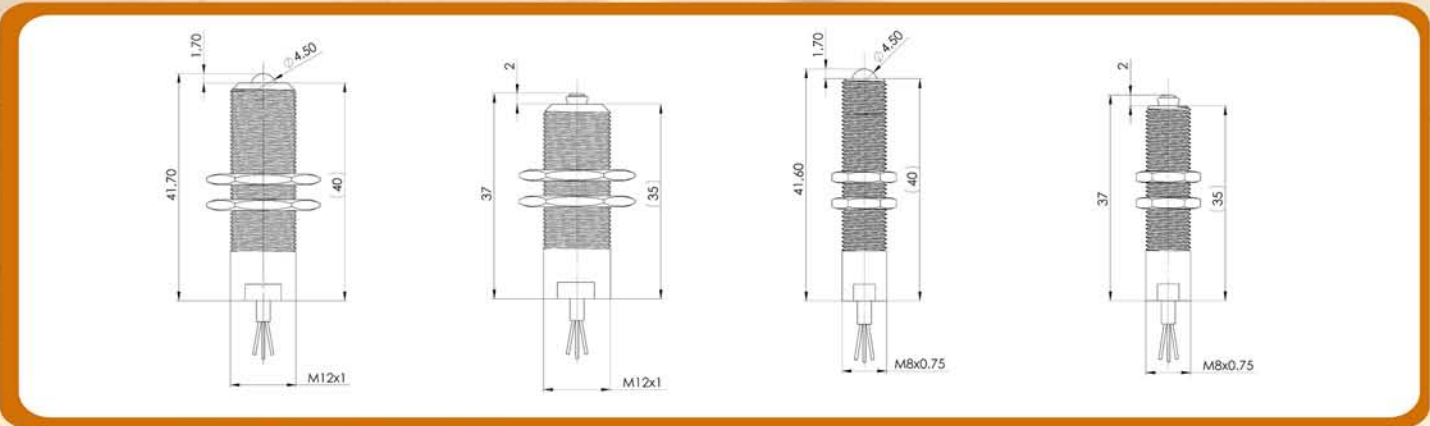
Major Specifications

Degree of protection	IP67
Termination	Cable / Connector
Operating force	Max 1N to open NC contact Max 1.6N to close NO contact
Temperature	-40°C to 130°C with SI cable (upon request) -20°C to 105°C with PVC cable
Hysteresis	0 mm
Repeatability	< 5µm
Pre-Travel	0 mm for NC contact 0.3 – 1.5mm for NO contact
Over-Travel	2mm after NC opening for pin version 1.7mm after NC opening for ball version
Max DC Voltage	30 VDC
Min DC Current	20mA
Max DC Current	200mA
Optional	M12 connector

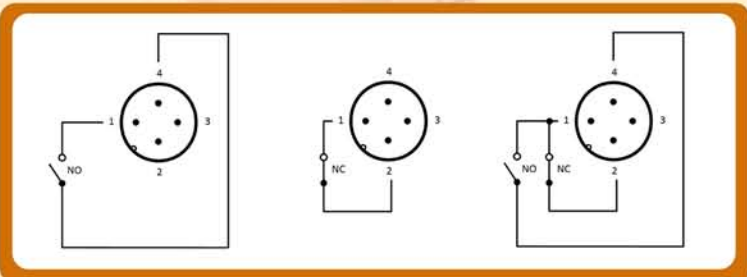
Ordering Information

	MP6	0	0	-	L	0	0	-	C	1	0
Housing											
0:	M8 Metal IP67										
2:	M12 Metal IP67										
5:	M8 Metal										
7:	M12 Metal										
Contact Material											
0:	Copper										
1:	Gold										
Actuator											
0:	Pin										
1:	Ball										
Contact Distance											
0:	0.5mm Change Over										
1:	1mm Change Over										
2:	1.5mm Change Over										
3:	NC only										
4:	NO only 0.5mm										
5:	NO only 1.0mm										
6:	NO only 1.5mm										
Connection											
0:	0.5 m PVC										
1:	1m PVC										
2:	2m PVC										
Connector											
0:	Without										
1:	Circular M12 - 4pin										

Dimensions



Connection



Sensor Contact	cable option wire color	connector option pin number
common	brown	1
NC	black	2
NO	blue	4



Microprecision Electronics SA

P.O. Box 160 • Route de l'industrie 27
CH. 1896 VOUVRY • SWITZERLAND
Tel. +41 (0)24 481 43 43 • Fax: +41 (0)24 481 43 60
info@microprecision.ch • www.microprecision.ch

Trust more than 50 years of experience!

Microprecision manufactures for over 50 years passive components for demanding machinery, medical, aerospace and telecommunications applications.

The product range covers very precise microswitches, limitswitches, mechanical position sensors, unique multiple mount LED assemblies and indicator lights. Design and engineering experience for over half a century guarantees the needed in-house expertise to resolve your custom project needs.

With manufacturing facilities in Switzerland, Spain and the United States, Microprecision offers fast turn around time and close customer relationship.



For more information, please contact one of our resellers
or visit our website: www.microprecision.ch

